



8 double castors

COMPUTER DESK
CS 150*

W 55 x H 29,90/35,10 x D 28,30"
W 1400 x H 760/892 x D 720 mm

(Fig.)

versions:

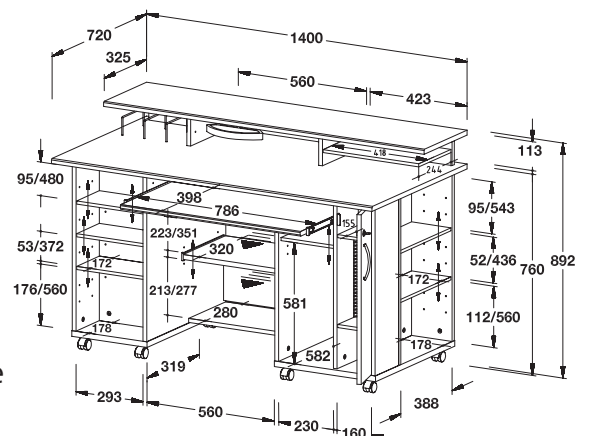


maple finish



beech finish

- monitor top unit with pencil tray, pivoting and storage compartments on left/right
- on left: storage compartments for binders and CD-ROMs with 4 adjustable shelves, variable
- in the middle: 1 large telescopic shelf for keyboard and mouse, variable
- 1 telescopic shelf for printer, variable
- on right: tower compartment with adjustable shelf, variable
- storage compartment, on the side, with 2 adjustable shelves, variable
- compartment with holder for 24 CD-ROMs and door, lockable
- 8 double castors



*E 1 chip boards, melamine resin coated

Decor: finish

*Model protected by German design patent